

**60W X 2 Solar LED Street light
Model SSLASOLST60X2UNI-LI**



- Integrated Battery Design
- Highpower & Robust
- Lithium-Ion Technology
- Alu Zinc / Stainless Steel
- Different Colour Options
- Made in South Africa

The Universal Solar street light is a slimline, compact and aesthetically pleasing which incorporates all components together classed as in integrated design.

This model is supplied with a 60W X 2 Philips SMD LED street with a lumen output of 160lm/w.

Lighting parameters are based on 13 hours per night for your longest winter night to operate 365 days per year with intelligent Smart 365 Solar controller technology.

Full power with intelligent mode or 5Hrs @ 100% power & 8Hrs @ 70%

Light distribution options are Type 1 & 11 Medium, Type 1 Short.

The battery is designed for over 24 hours at full charge with 4 days back up.

Battery requires 4 - 5 hours to replenish.

Each model is supplied with lasercut lettering into the cradle which can be used to highlight, name of place, street / road or place of interest or company name for branding purposes.

Our standard LED brand options are, Philips or Cree SMD LEDs.

Standard warranties on components

LEDS 5 years

Electronics 3 years

Solar panels 25 years

Poles 10 years workmanship

Battery boxes / cradles 3 years

All components have an option to extend its warranties.

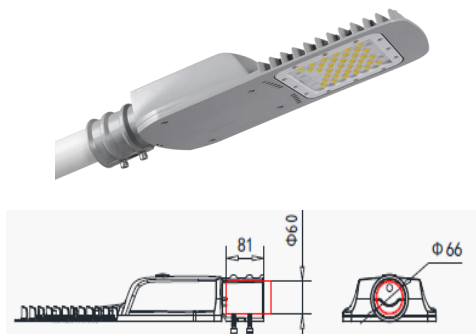
Local content 60 - 70%

SPECIFICATIONS

LIGHT	POWER	60W x 2
	LED	Philips Lumileds
	IP RATING	IP66
	FLUX @ CCT 5000k	8400lm X 2 - 16800 Lumen
	WARRANTY	5 years
	CRI	70 / 80
	OPTICAL CONTROL	PMMA Lenses
	AVERAGE LIFE SPAN	10 years
	OPERATING TEMPERATURE	-30 Deg~ + 45 Deg
	MOUNTING HEIGHT	8m above ground
	BEAM ANGLE	Type 1 & 11 Medium, Type 1 Short
	POLE TO POLE DISTANCE	38 meters
BATTERY	LITHIUM FERRO PHOSPHATE	LIFEPO4
	VOLTAGE	25.6V
	CAPACITY	2150Wh
	CYCLES	2000 - 4000
SOLAR PANEL	RATED POWER	480W Poly
	VOLTAGE AT MAX POWER	56.94
	CURRENT AT MAX POWER	8.45Amp
CONTROLLER	CHARGE TYPE	MPPT Smart 365
	DIMMING	Intelligent IC - 100 / 70 / 50 / 30
	DAY NIGHT SENSORS	Integrated into controller
	LIGHTING PARAMETERS	4 stage Programmable
	ELECTRICAL PROTECTION	IP 68, Temperature compensation
Overheating, overcharging and		
Over discharging protections		
BRACKETING AND BATTERY BOXES	Alu Zinc and powder coated, Manufactured in an SABS approved facility with ISO 9001 3CR12 Stainless steel optional for coastal environments	
POLE	Galvanized steel ,9,2m pole with arm - 127 - 101mm	
Powder Coating	Optional	

60W x 2 Solar LED Street light Model SSLASOLST60X2UNI-LI

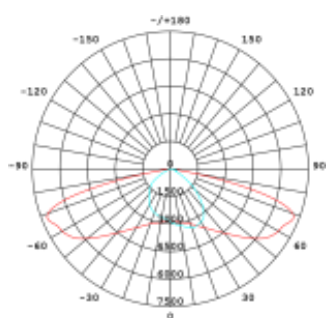
LED Street



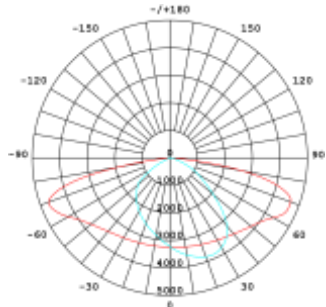
Battery Technology- 3.2V Lithium LIFEP04 Cells



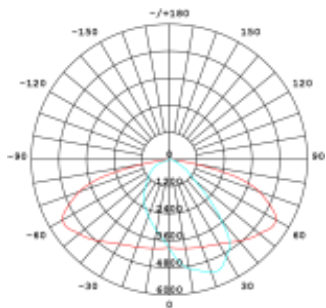
Light distribution



T1M1856



T2M1855

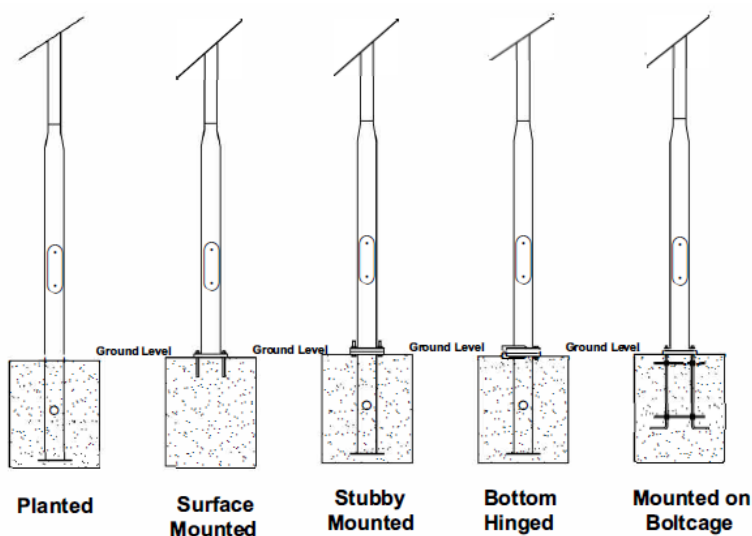


T2S1854

Solar controller - MPPT Intelligent Smart 365



Pole mounting options



Components certifications

LM-79 LM-80 TM21 **IP66 IP68** IEC ISO 9001